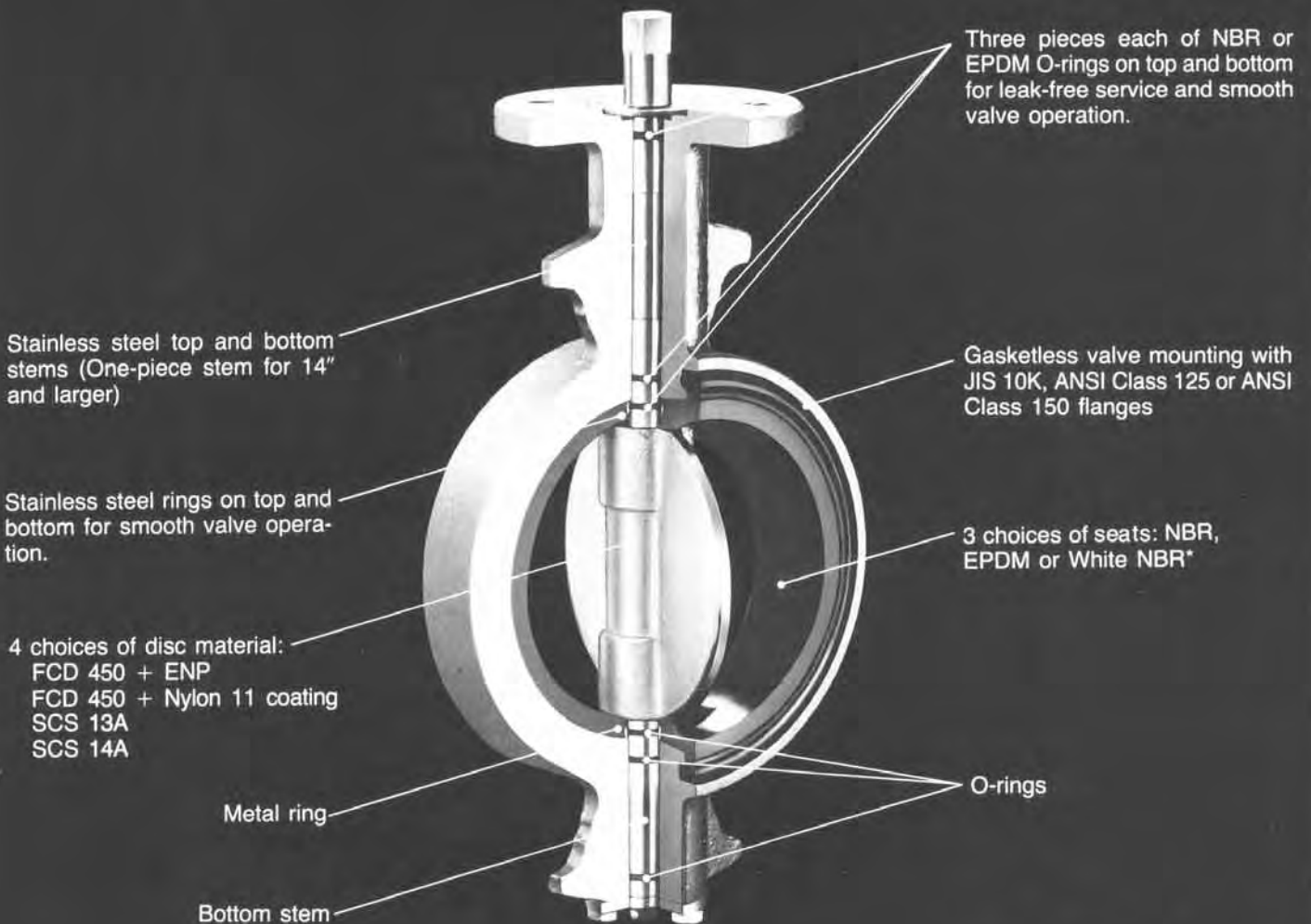


*KITZ C Series 10K/Class 125 Iron Butterfly Valves*

KITZ C Series iron butterfly valves offer a wide selection of trim materials for highly versatile applications in the fields of water supply, sewerage, air conditioning and industrial process flow control. Center-drive mechanism and streamlined valve disc design reduce the pressure loss to almost nil for high flow efficiency. Mounting with JIS 10K flanges, or ANSI Class 125 and 150 flanges is available at your option. Face-to-face dimensions comply with JIS B 2032 and ISO 5752.

**Design Features**

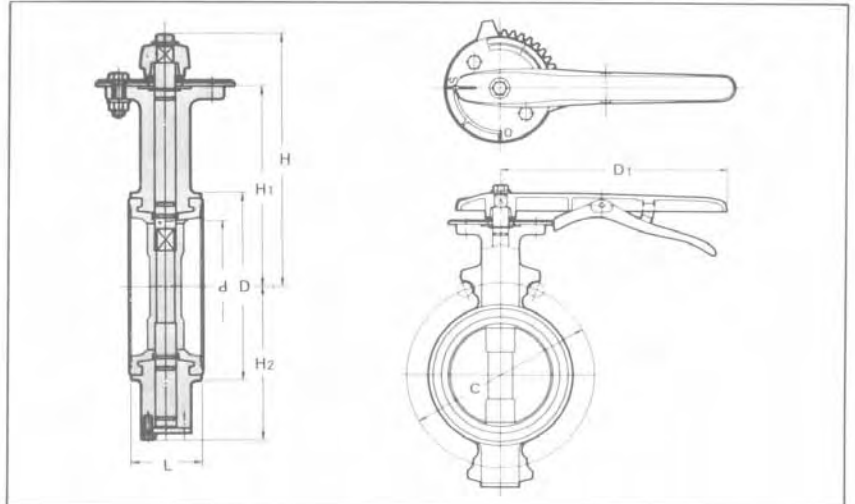


\* White NBR for food processing and sanitation services

*C Series Iron Butterfly Valves*

**10C: Class 10K / 125C: Class 125 / Lever Operated**

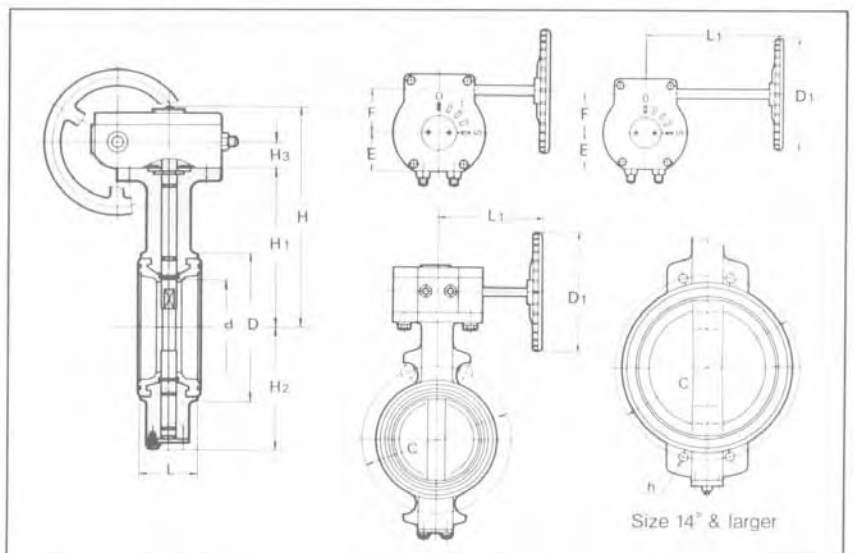
- |       |        |
|-------|--------|
| 10C   | 125C   |
| 10CE  | 125CE  |
| 10CW  | 125CW  |
| 10CU  | 125CU  |
| 10CUE | 125CUE |
| 10CUW | 125CUW |
| 10CM  | 125CM  |
| 10CME | 125CME |
| 10CMW | 125CMW |
| 10CN  | 125CN  |
| 10CNW | 125CNW |



**GL-10C: Class 10K / GL-125C: Class 125 / Long Spindle Gear Operated**

- |          |           |
|----------|-----------|
| GL-10C   | GL-125C   |
| GL-10CE  | GL-125CE  |
| GL-10CW  | GL-125CW  |
| GL-10CU  | GL-125CU  |
| GL-10CUE | GL-125CUE |
| GL-10CUW | GL-125CUW |
| GL-10CM  | GL-125CM  |
| GL-10CME | GL-125CME |
| GL-10CMW | GL-125CMW |
| GL-10CN  | GL-125CN  |
| GL-10CNW | GL-125CNW |

\*Size 10, to 12"



Size 14" & larger

See page 37 for valve insulation.

C Series Iron Butterfly Valves

Dimensions (10C)

		mm					
Size	mm	50	65	80	100	125	150
	inch	2	2½	3	4	5	6
<b>d</b>		52	67	80	102	127	152
<b>H</b>		166	176	182	194	218	238
<b>H<sub>1</sub></b>		128	138	143	155	177	197
<b>H<sub>2</sub></b>		66	79	99	120	134	151
<b>L</b>		43	46	46	52	56	56
<b>D</b>		90	115	126	146	181	211
<b>C</b>	10K	120	140	150	175	210	240
	125	120.5	139.5	152.5	190.5	216.0	241.5
<b>D<sub>1</sub></b>		200	200	230	230	280	280

Trim material coding

Fig. suffix	Disc	Seat
E	FCD+ENP	EPDM
W	FCD+ENP	W-NBR*1
U	SCS 13A	NBR
UE	SCS 13A	EPDM
UW	SCS 13A	W-NBR*1
M	SCS 14A	NBR
ME	SCS 14A	EPDM
MW	SCS 14A	W-NBR*1
N	FCD+N*2	NBR
NW	FCD+N*2	W-NBR*1
None	FCD+ENP	NBR

Materials (10C)

Parts	JIS material
Body	FC200*3
Stem	SUS 403*2
Disc	FCD450+ENP
Seat	NBR
O-ring	NBR
Thrust washer	PTFE
Snap ring	SK 5
Gland plate	SUS 430*1
Ring	SUS 304
End plate	SUS 430*1
End plate bolts	SS 400

\*1 White NBR for food processing and sanitation services.

\*2 Nylon 11 coating.

\*1 Different design and material for 14" and larger. Ask for valve assembly drawings for details.  
\*2 Top and bottom stems for 12" and smaller.  
\*3 Contact KITZ for information when cast carbon steel (SCPH2) is required for valve bodies.

Dimensions (GL-10C)

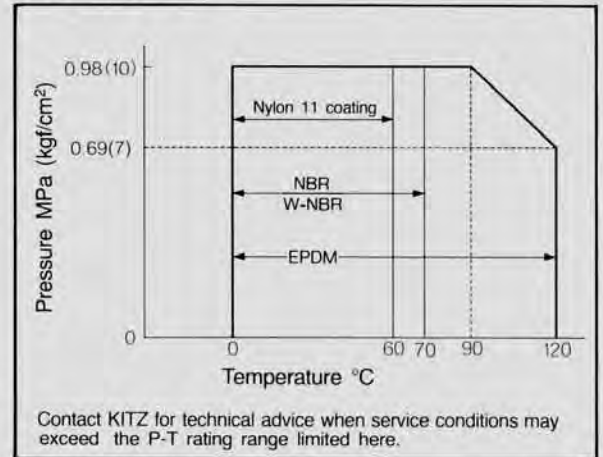
Size		mm															
mm	inch	d	H	H <sub>1</sub>	H <sub>2</sub>	H <sub>3</sub>	L	D	C		h		D <sub>1</sub>	L <sub>1</sub>	E	F	Gear type
									10K	125	10K	125					
50	2	52	184	128	66	28	43	90	120	120.5	—	—	110	150	35	42.5	No.1
65	2½	67	194	138	79		46	115	140	139.5	—	—					
80	3	80	199	143	99		46	126	150	152.5	—	—					
100	4	102	211	155	120		52	146	175	190.5	—	—					
125	5	127	233	177	134		56	181	210	216	—	—					
150	6	152	253	197	151		56	211	240	241.5	—	—					
200	8	200	286	225	190	31	71	257	290	298.5	—	—	170	195	42	60	No.2
250	10	254	347	286	221		76	322	355	362	—	—					
300	12	297	373	312	260		83	367	400	432	—	—					
350	14	335	438	351	301	47	92	410	445	476.5	25	29	200	205	54	65.5	No.3
400	16	390	464	377	333		102	470	510	539.5	27	29					
450	18	440	490	403	357		114	530	565	578	27	32					
500	20	485	523	424	390	60	127	580	620	635	27	32	310	280	69	88.5	No.4
600	24	585	583	484	450		154	688	730	749.5	M30	1¼-7UNC					

## C Series Iron Butterfly Valves

### Technical specifications

Maximum service pressure	0.98MPa (10 kgf/cm <sup>2</sup> )	
Service temperature range	0°C to +70°C	
NBR seat	0°C to +70°C	
EPDM seat	0°C to +120°C	
Continuous service temperature range	0°C to +100°C	
White NBR seat	0°C to +70°C	
Nylon 11 coating disc	0°C to +60°C	
Face-to-face dimensions	MSS SP-67 / ISO 5752	
Coupling flanges	JIS 10K, BS 4504-10 ANSI Class 125 / 150	
Test pressure	shell test	1.96MPa (20 kgf/cm <sup>2</sup> ) [hydrostatic]
	seat test	1.17MPa (12 kgf/cm <sup>2</sup> ) [hydrostatic] 0.59MPa ( 6 kgf/cm <sup>2</sup> ) [pneumatic]

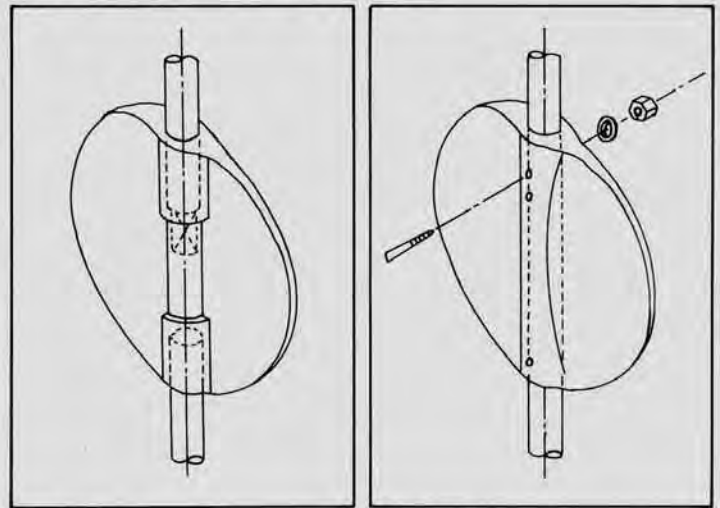
### P-T rating of seats



### Flow coefficient (Cv)

Size		Valve opening			
mm	inch	30°	45°	60°	90°
50	2	15	40	74	121
65	2½	28	79	160	237
80	3	37	100	190	313
100	4	55	155	320	659
125	5	73	210	490	1020
150	6	120	320	720	1580
200	8	240	700	1650	3150
250	10	380	1100	2550	5070
300	12	530	1600	3450	7210
350	14	830	2310	4870	9070
400	16	1200	3330	7030	13100
450	18	1520	4220	8900	16600
500	20	1870	5210	11000	20500
600	24	2730	7600	16100	29900

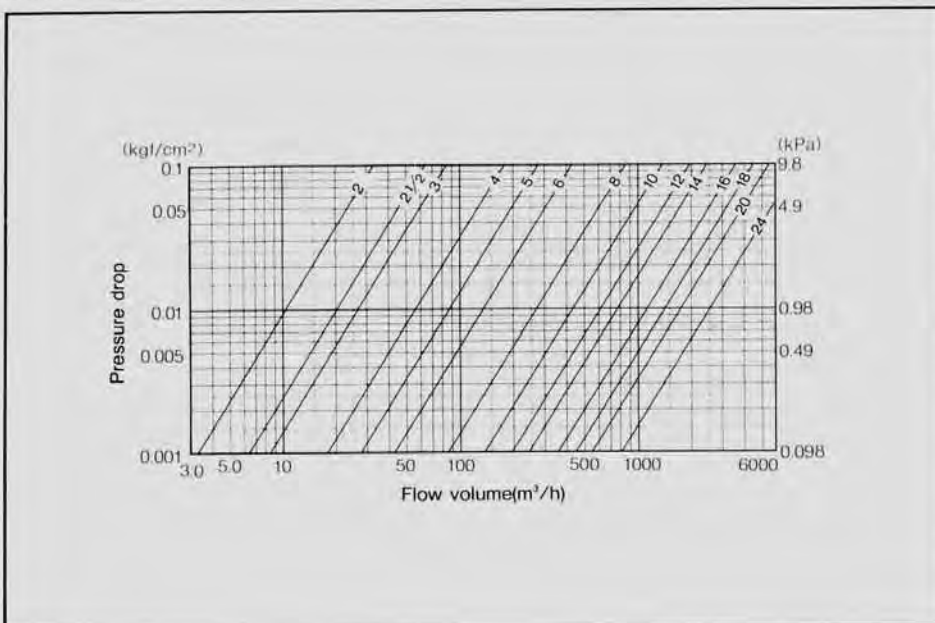
### Stem to disc mounting structure



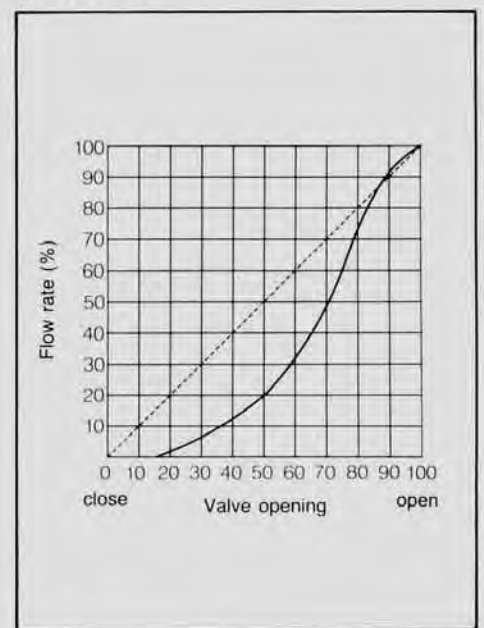
● 2" to 12"

● 14" and larger

### Flow characteristics



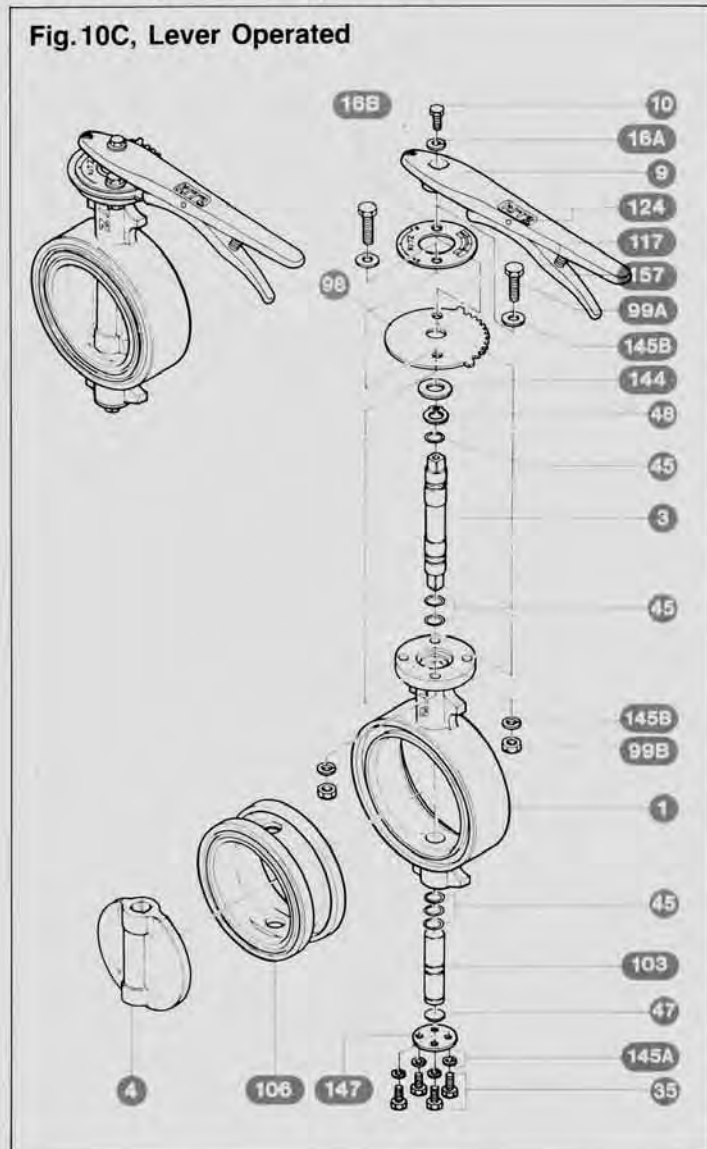
### Flow rate



Construction and Materials

C-Series Iron Butterfly Valves

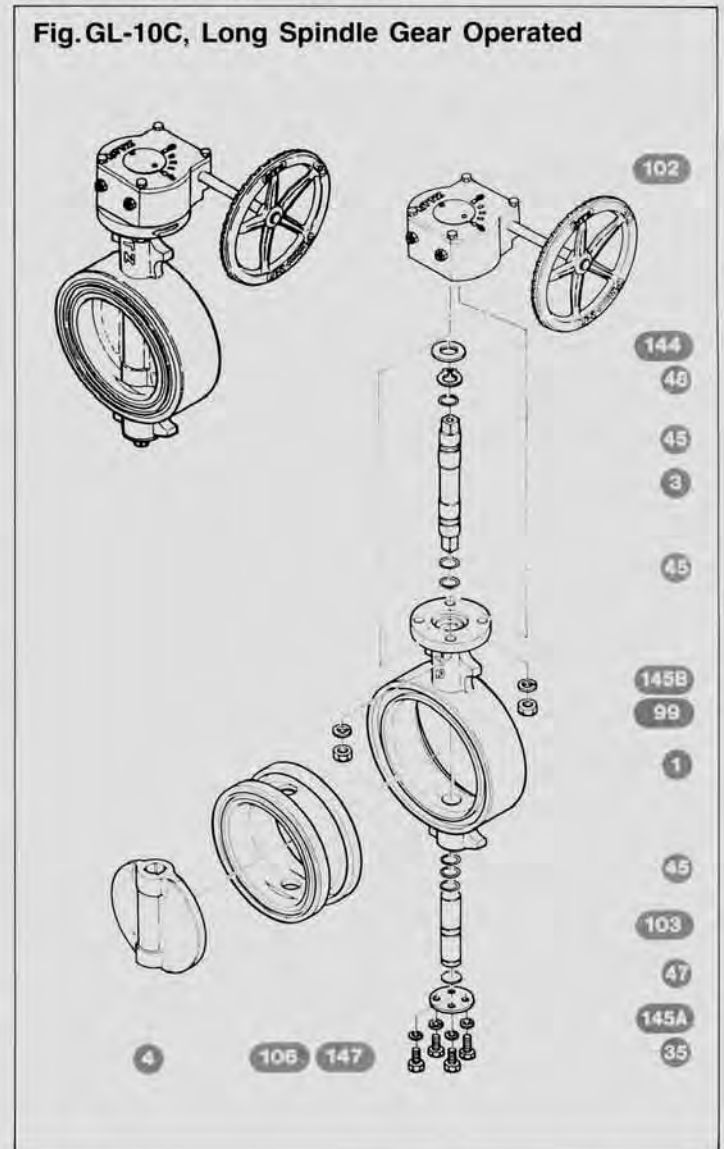
Fig.10C, Lever Operated



No.	Parts	JIS material
1	Body	FC 200
3	Stem	SUS 403
4	Disc	SCS 13A/SCS 14A/FCD 450+ENP
9	Handle	FCD 450
10	Handle bolt	SS 400
16A	Washer	SS 400
16B	Name plate	A1050P
35	End plate bolt	SS 400
45	O-ring	NBR/EPDM
47	Thrust washer	PTFE
48	Snap ring	SK 5
98	Index plate	SPCC
99A	Set bolt	SS 400
99B	Nut	SS 400
103	Bottom stem	SUS 403
106	Seat	NBR/EPDM/W-NBR
117	Handle spring	SUP
124	Spring pin	SK 5
144	Gland plate	SUS 430
145A	Spring washer	SWRH 62
145B	Spring washer	SWRH 62
147	End plate	SUS 430
157	Stop lever	FCD 450

C-Series Iron Butterfly Valves

Fig.GL-10C, Long Spindle Gear Operated



No.	Parts	JIS material
1	Body	FC 200
3	Stem	SUS 403
4	Disc	SCS 13A/SCS 14A/FCD 450+ENP
35	End plate bolt	SS 400
45	O-ring	NBR / EPDM
47	Thrust washer	PTFE
48	Snap ring	SK 5
99	Nut	SUS 304
102	Gear unit	—
103	Bottom stem	SUS 403
106	Seat	NBR / EPDM / W-NBR
144	Gland plate	SUS 430
145A	Spring washer	SWPH 62
145B	Spring washer	SWPH 62
147	End plate	SUS 430